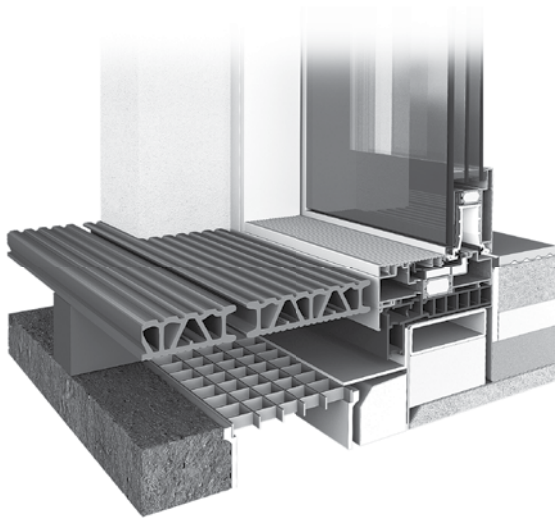




ONE

SLIDING SYSTEM
WITH THERMAL BREAK

**CONTEMPORARY DESIGN
WITH THE HIGHEST
AESTHETIC VALUES
IS NOW ACHIEVABLE USING
STRUCTURAL GLAZING**



DETAILS

Thermal transmittance $U_w = 1.20 \text{ W/m}^2\text{K}$

Burglar resistance WK2

Class 5A watertightness according to EN12208

Class 3 air permeability according to EN12207

Acoustic performance $R_w = 36\text{dB}$

Special sash for structural glazing

Inox rail with "U" shape

Maximum vent weight 300 kg

Maximum vent size 3000 mm x 3000 mm

E70

HEAVY-DUTY
SLIDING SYSTEM
WITH
THERMAL BREAK

DESIGN

FLEXIBILITY IN DESIGNING A VERY LARGE RANGE OF ARCHITECTURAL APPLICATIONS INCLUDING SOLUTIONS FOR BOTH RESIDENTIAL AND BUSINESS BUILDINGS

HIGH QUALITY PRODUCT

ENVIRONMENTALLY FRIENDLY PRODUCT MADE THROUGH INTEGRATED TECHNOLOGIES AND BUILDING MATERIALS

ENERGY EFFICIENT PRODUCT

ECONOMY AT EVERY LEVEL WITH ENERGY EFFICIENT FEATURES THAT SURPASS CURRENT EUROPEAN BUILDING REGULATIONS

FEATURES

The system enables highest sunlight penetration and best view toward surrounding landscape without excessive grid lines in the exterior view.

Option to install flyscreen

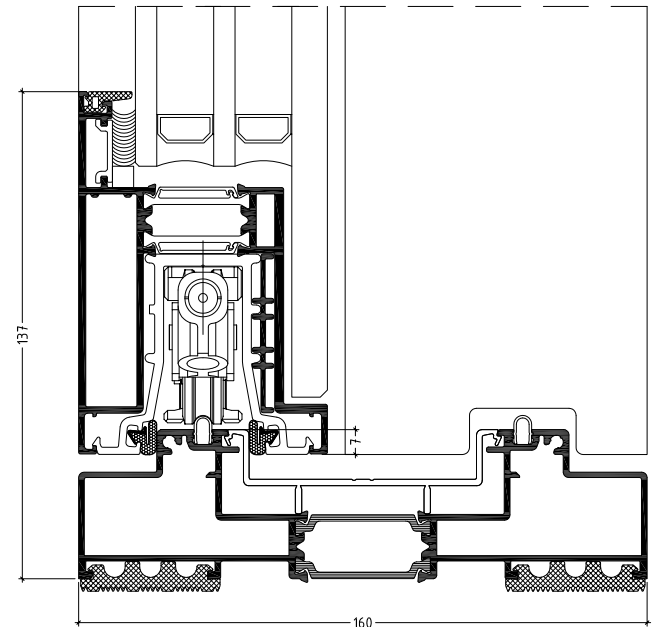
Reliable lift/slide hardware G-U

Flat design

Sash depth 70 mm, sash height 102 mm and 88 mm

Glazing depth up to 52 mm

Opening – single, double and triple rail



etem.com